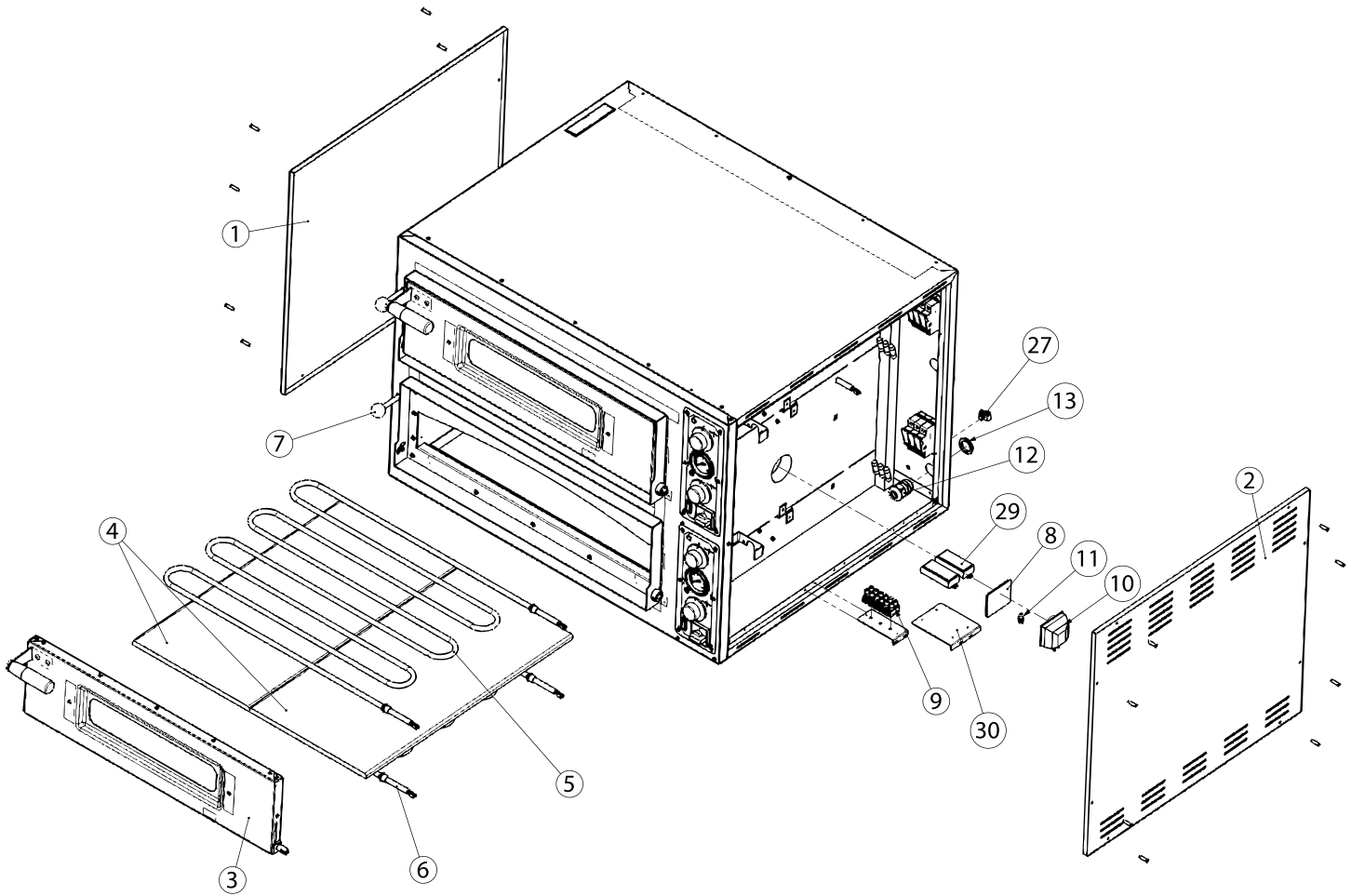


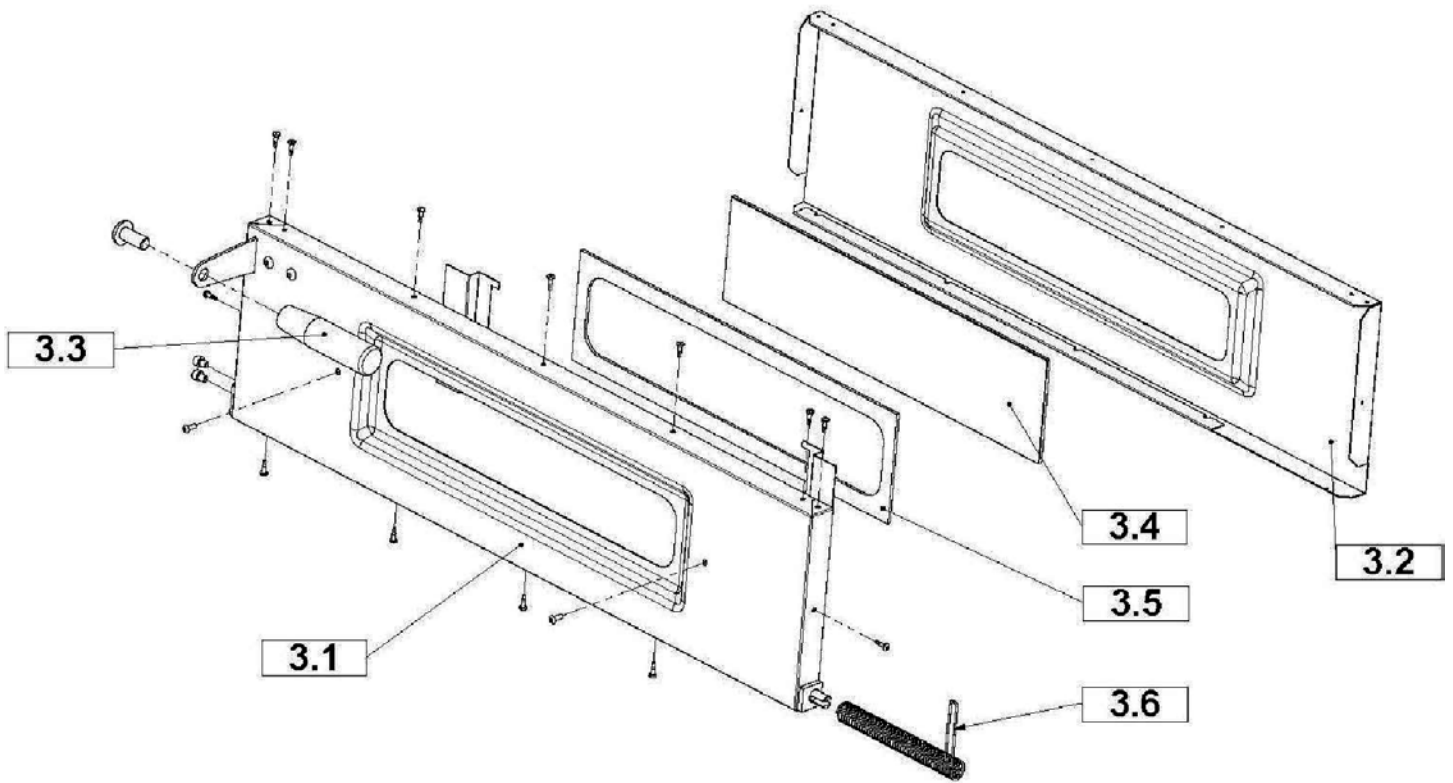
Parts Breakdown

Model PE-IT-0038-DS 45199



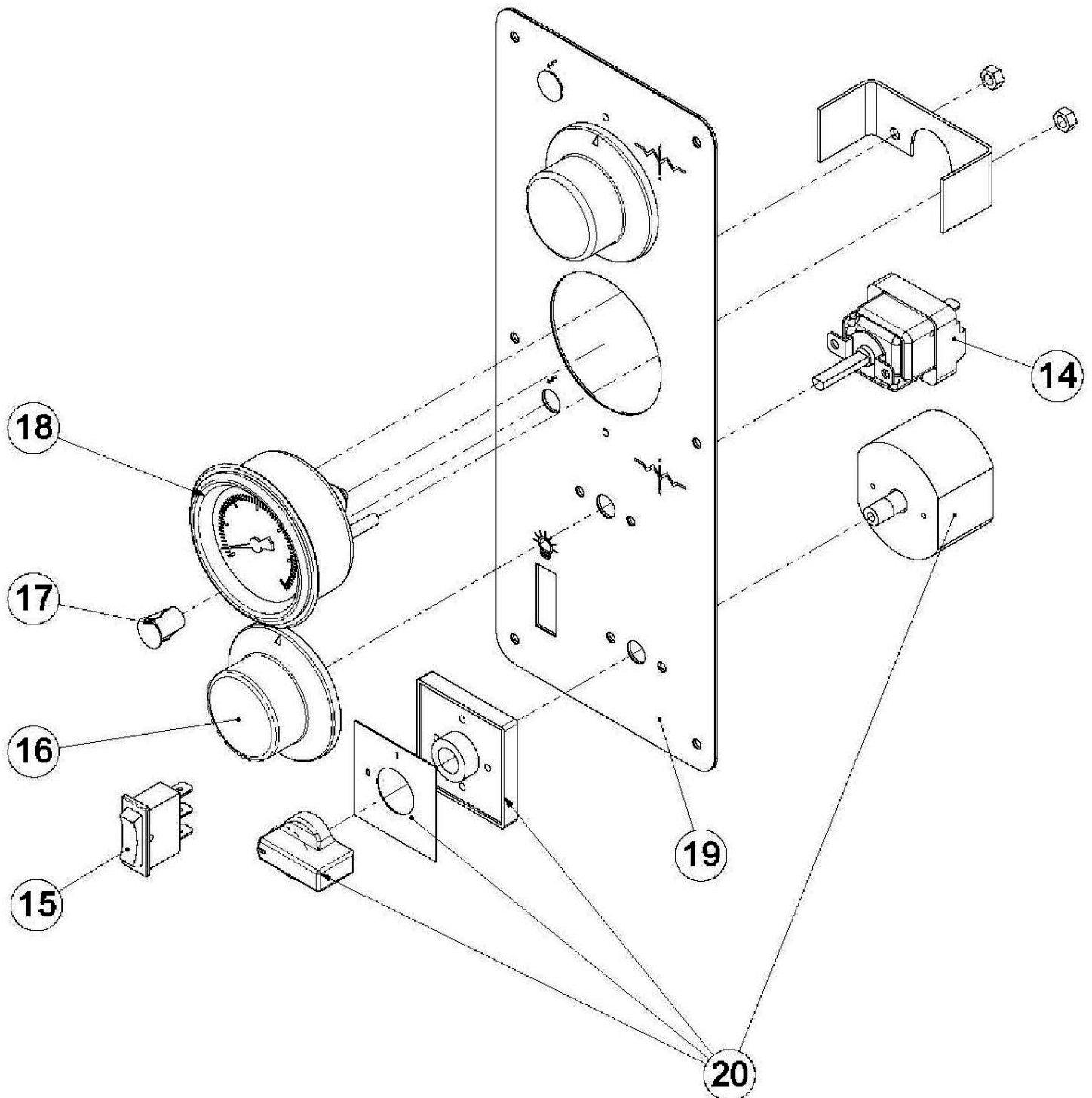
Parts Breakdown

Model PE-IT-0038-DS 45199



Parts Breakdown

Model PE-IT-0038-DS 45199



Parts Breakdown

Model PE-IT-0038-DS 45199

Item No.	Description	Position	Item No.	Description	Position	Item No.	Description	Position
77228	Entry LH Side Panel for 45199	1	76614	Spheric Knob PLX.30-M8-C9 for 45199	7	42848	Transparent LED Bulb 380V (Including Hood) for 45199	17
77229	Entry RH Side Panel for 45199	2	AC196	Rectangular Lamp Glass for 45199	8	74749	Thermometer Ø 60 TAR. 0-500C for 45199	18
76604	Entry Complete Door for 45199	3	42831	Terminal Board PA220FV 12 Poles 16sqmm 750V-76A for 45199	9	76626	Entry Control Label for 45199	19
76605	Entry Door Assembly for 45199	3.1	AC197	Lamp Holder with Bulb and Cover for 45199	10	42035	16A Actuator P0160004R001 4-Polar Switch for 45199	20
76606	Counter Door Assembly for 45199	3.2	74855	Halogen Bulb 12V 20W G4 for 45199	11	42849	Resin Bonded Label for 45199	22
76607	Elesa Handle I 280/115 for 45199	3.3	74747	Cable Gland OBO 106 PG 21 for 45199	12	42837	Equipotential Attachment (OBO. T5012+OBO.5016M5) for 45199	27
41771	Glass Door for 45199	3.4	74746	Nut for Cable Gland OBO 106 PG 11 for 45199	13	62493	Transformer 40VA 50/60Hz 230V-12V for 45199	29, 30
76609	Joint Entry for 45199	3.5	42050	EGO Unipolar Thermostat for 470° Ovens Bulb 163mm for 45199	14	AM699	Thermostat Probe Support Safety T.D. 8438.90.00 (Bracket) for 45199	
76650	Brick 350x700x14 for 45199	4	42048	Luminous Unipolar Red Switch for 45199	15	AM700	Unipolar Safety Thermostat 512TH - UL (55.13584.010) T.D. 8514.90.70 for 45199	
76612	Resistor 2800 W 230 V Prime for 45199	5, 6	76646	Thermostat Knob AP10 Scale 0-10 for 45199	16	AM701	Vite TC+ Autofor. 3.9x13 ZN NR 24.00 N8E T.D. 7318.12.10 for 45199	